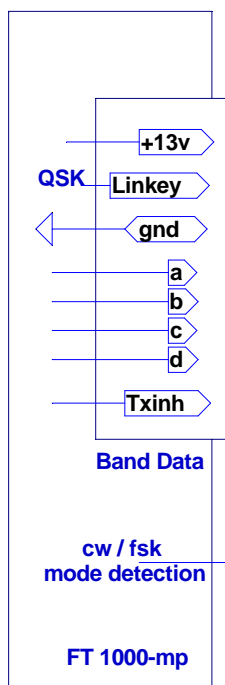


Band Data



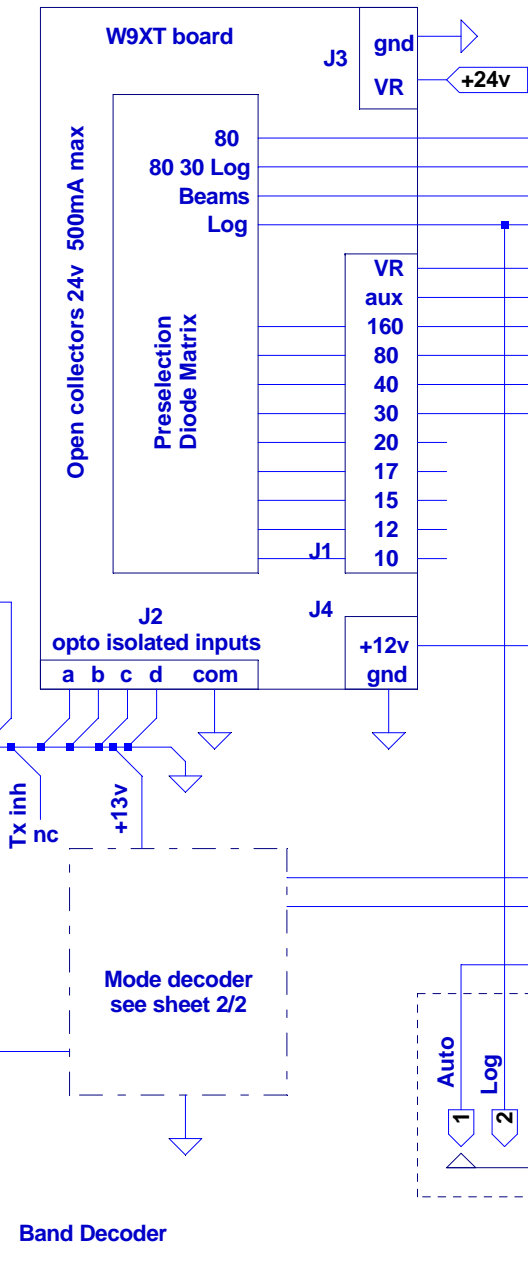
DIN 8 pts T2



P1 P2

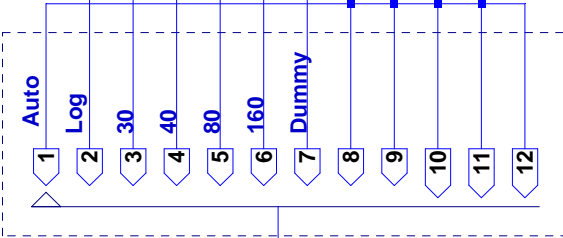
Lin Key (qsk)

J4

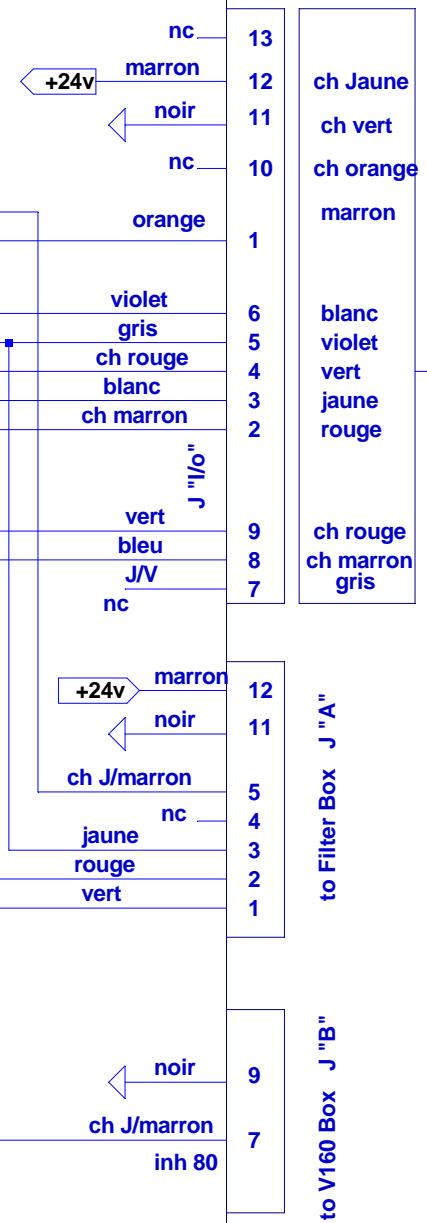
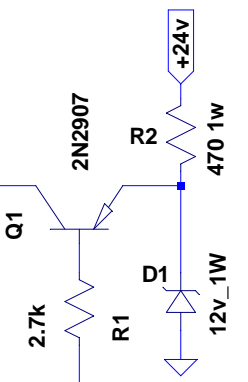


Band Decoder

Mode decoder
see sheet 2/2



Sw1



to Relay Box

to Filter Box J "A"

to V160 Box J "B"